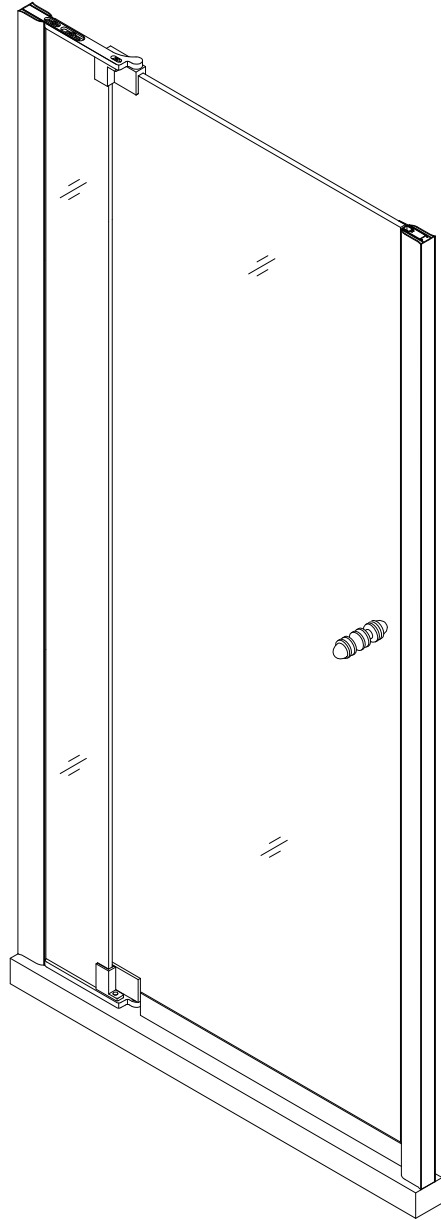




ALLURE Shower Door Installation Instructions

IMPORTANT

Please read carefully the following instructions before installing your shower door.

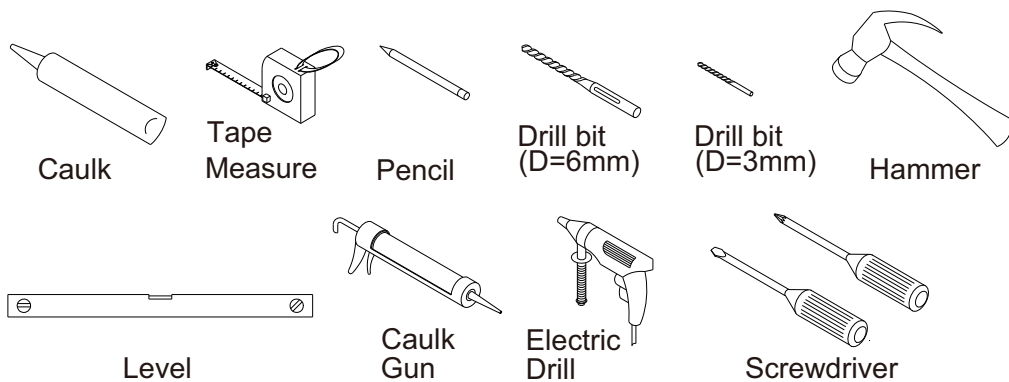


Our product may have changes without prior notice

Preparation

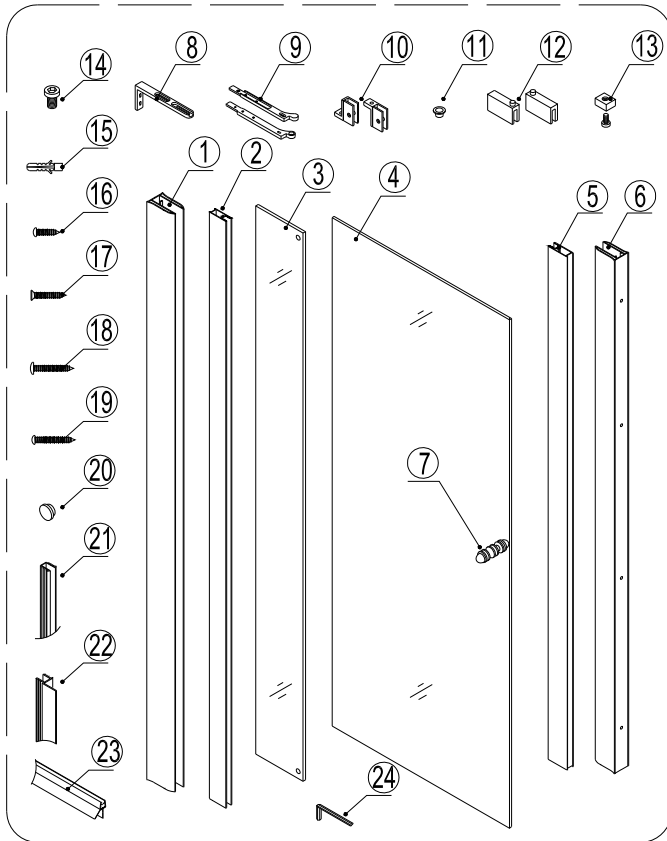
1. After opening the case, read this introduction carefully, check all the packed parts are complete by cross checking all the components against the “Detailed Diagram of Shower Door Components”. Examine for shipping damage. If the unit has been damaged or has a finishing defect, please contact your local distributor within 3 business days. Please note that **Bath Authority™ / DreamLine™ will not replace any damaged product or parts free of charge after 3 business days or if the product has been installed.** Your distributor’s responsibility for damage in transit is limited after the shower package has been transferred to the transportation company, so you may have to contact the transportation company directly to report damage. Contact your distributor or DreamLine if you have any questions.
2. **Please note that you should consult your local building codes on questions on installation compliance standards. Building and plumbing codes vary by location, and DreamLine is not responsible for code compliance standards for your project.**
3. Install all of the required plumbing and drainage before securing the shower. **Use a competent and licensed (if required by local code) plumber for all plumbing installation.**
4. Please insure that prior to the installation the floor is leveled and solid. Also make sure the walls are at right angles. While some adjustment in leveling of the door is possible, irregular floor level or improper angle of side walls will result in serious problems for your installation. Please, note that there are some adjustments and drilling might be necessary during the installation process.

Tools Required

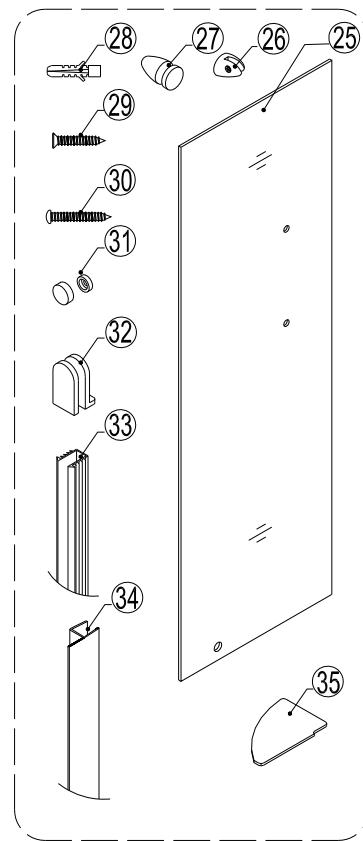


Detailed Diagram of Shower Door Components

Packing List A



Packing List B



Packing List A

01	Wall profile for stationary glass	1pc	13	Fixing nut with M4×12 screw	1set
02	Glass profile for stationary glass	1pc	14	Socket head screw M6×6	2pcs
03	Stationary glass	1pc	15	Wall anchor	12 pcs
04	Glass door	1pc	16	Round head screw ST4.2×10	6 pcs
05	Glass profile	1pc	17	Flat head screw ST4.2×25	2 pcs
06	Wall profile	1pc	18	Round head screw ST4.2×30	12 pcs
07	Handle	1pair	19	Round head screw ST4.2×25	1 pcs
08	Pivot retainer	2pcs	20	Decorative cover	8 pcs
09	Pivot bracket (upper and bottom)	1pair	21	U-shape seal gasket	1pc
10	Glass fixer (upper and bottom)	1pair	22	Anti-water strip	1pc
11	Washer	2pcs	23	Bottom anti-water strip	1pc
12	Pivot assembly (upper and bottom)	1pair	24	Hex wrench	1pc

Packing List B (Only for doors with stationary glass)

25	Stationary glass	1pc	31	Decorative cover	1pc
26	Glass bracket (Without nut)	4 pcs	32	Bracket	1pc
27	Glass bracket (with nut)	2 pcs	33	U-shape seal gasket	1pc
28	Wall anchor	4 pcs	34	Anti-water strip	1pc
29	Flat head screw ST4.2×25	4 pcs	35	Glass shelf	2pcs
30	Round head screw ST4.2×25	1pc			

Now you have checked that all components are there, you are now ready to start the installation of your DreamLine™ shower door.

Assemble Steps

1. Locate the **Wall profile for stationary glass (1)** and place it vertically against the finished wall. Adjust the profile using a level. Use predrilled holes in the aluminum profile to mark holes for drilling. Now drill holes in the wall and insert the **Wall anchor (15)** into the hole. See Fig 1 for details.
2. Push the **Pivot retainer (8)** into both sides of the **Wall profile for stationary glass (1)**. See Fig 2 for details.
3. Apply silicone sealant along the holes on the wall. Attach the **Wall profile for stationary glass (1)** to the wall using **Round head screws ST4.2×30 (18)**. See Fig 3 for details.
4. Locate the **Stationary glass (3)**. Small hole on the short side of the stationary glass should be on the bottom and away from the wall. Place the **U-shape seal gasket (21)** on the long (vertical) side of the glass panel. Push the **Stationary glass (3)** into **Glass profile for stationary glass (2)** groove using the hammer. To make it easy you can apply any liquid soap on the U-gasket before pushing the **Stationary glass (3)** into **Glass profile for stationary glass**. (**NOTE: If the stationary Glass and the glass profile have been assembled, you can skip this step.**) See Fig 4 for details.
5. Push the upper **Pivot bracket (9)** into the top groove of the **Glass profile for stationary glass (2)**; then secure it and the profile with **Flat head screws ST4.2×25 (17)**. Repeat the same steps for the bottom pivot bracket (9). See Fig 5 for details.
6. Attach the **Glass fixer (10)** onto the stationary glass; then secure it to the stationary glass using **Fixing nut with M4×12 screw (13)**. See Fig 6 for details.
7. Push the stationary glass assembly into the groove of the wall profile for stationary glass (1). See Fig 7 for details.
8. Secure the upper **Pivot bracket (9)** and the upper **Pivot fixer (10)** with **Socket head screw M6×6 (14)**. Adjust the stationary glass vertically using a level and fix in place by tightening the socket head screw. Mark drill hole on the bottom bracket. Make sure the mark is clear and visible. Drill the hole. Attach the bottom **Pivot bracket (9)** and the bottom **Pivot fixer (10)** using **Round head screws ST4.2×25 (19)**. Cover screw location with **Decorative cover (20)**. See Fig 8 for details.
9. Repeat step 1 to install the **Wall profile (6)**. Apply silicone sealant along the holes on the wall. Attach the **Wall profile (6)** to the wall using **Flat head screws ST4.2×30 (18)**. See Fig 9 for details.

NOTE: If your shower door is less than 1 meter in width, you only need to assemble parts from Packing List A and follow steps 10-14. However if your door is more than 1 meter in width, you will need to add the one piece stationary glass (Packing List B), skip steps 10-14 and continue your installation with Step 15.

10. Push the **Glass profile (5)** into the groove of the **Wall profile (6)**; then push the **Anti-water strip (22)** into the groove of the **Glass profile (5)**. See Fig 10 for details.
11. Install the bottom **Pivot assembly (12)** onto the pivot bracket (9). Make sure the **Washer (11)** is in between the pivot assembly and the pivot bracket. Make sure the rubber gaskets are in between the glass and the metal parts. Secure the glass with using provided bolts. See Fig 11 for details.
12. After adjusting with level, drill hole in the **Wall profile (6)** and **Glass profile (5)** and secure with **Round head screws ST4.2×10 (16)**. Cover screw locations with **Decorative cover (20)**. See Fig 12 for details.
13. Install the **Handle (7)** onto the glass door. Attach the **Bottom anti-water strip (23)** onto the glass door. (You can cut the anti-water using a knife). See Fig 13 for details.
14. Apply silicone sealant between the tray or threshold and the pivot bracket.

NOTE: The following steps (Steps 15-23) only apply to doors wider than 1 meter

15. Locate the **Stationary glass (25)**. Small hole on the short side of the stationary glass should be on the bottom and away from wall. Place a **U-shape seal gasket (33)** on the long (vertical) side of the glass panel. Push the **Stationary glass (25)** into **Glass profile (5)** groove using a hammer. (**NOTE: If the stationary Glass and the glass profile have been assembled, you can skip this step.**) See Fig 15 for details.
16. Refer to Fig 16 to mark the drill holes for the **Glass bracket (26)**. Make sure the marks are clear and visible, drill holes on the marks and insert **Wall anchor (28)**. Use self tapping **Flat head screws ST4.2×25 (29)** to attach the **Glass brackets (26)** to the wall. Install **Glass brackets (with nut) (27)** onto the **Stationary glass (25)**. Install the two **Glass shelves (35)** to the stationary glass. See Fig 16 for details.
17. Attach the **Anti-water strip (34)** onto the **Stationary glass (25)**. See Fig 17 for details.
18. Install the bottom **Pivot assembly (12)** onto the **Pivot bracket (9)**. Make sure the **Washer (11)** is in between the pivot assembly and the pivot bracket. Make sure the rubber gaskets are in between the glass and the metal parts. Secure the glass with provided bolts. See Fig 18 for details.
19. Close the glass door and make sure that there is 2~3mm between the glass door and the anti-water strip. See Fig 19 for details.
20. To adjust and secure the stationary glass - install the **Bracket (32)** onto the stationary glass; mark the drill hole for the bracket. Make sure the mark is clear and visible and drill the hole on the mark. Use the self tapping **Round head screws ST4.2×25 (30)** to attach the **Bracket (32)** to the tray or the threshold. Cover the screw location with **Decorative cover (31)**. See Fig 20 for details.
21. Secure the **Wall profile (6)** and **Glass profile (5)** with **Round head screws ST4.2×10 (16)**. Cover the screw locations with **Decorative cover (20)**. See Fig 21 for details.
22. Install the **Handle (7)** onto the glass door. Attach the **Bottom anti-water strip (23)** onto the glass door. (You can cut the anti-water strip using a knife). See Fig 22 for details.
23. Apply silicone sealant between the tray or threshold and the stationary glass and the accessory. See Fig 23 for details. (Fig 23 is left door open; Fig 24 is right door open.)

NOTE: If you need another direction for the door opening, you need only to exchange the position of the wall profile for stationary glass (1) and the pivot assembly (12). See Fig 23 & 24

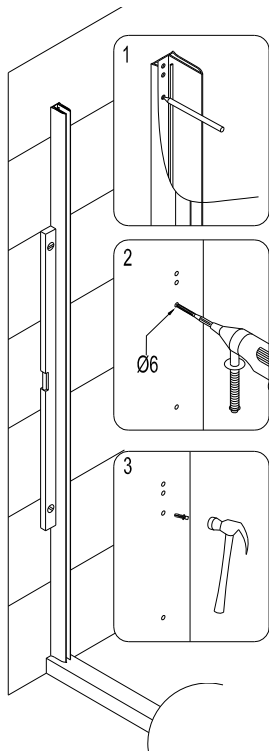


Fig 1

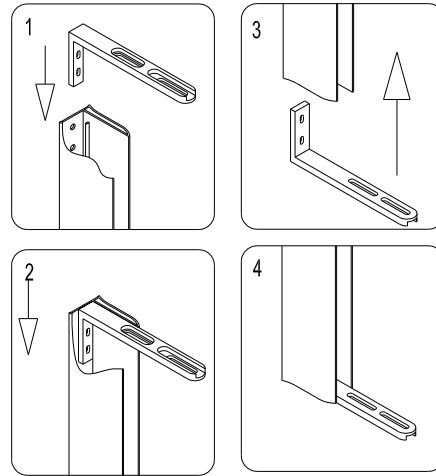


Fig 2

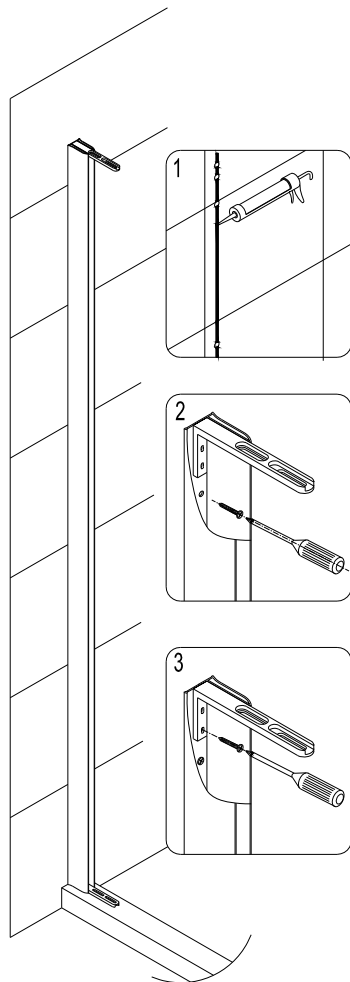


Fig 3

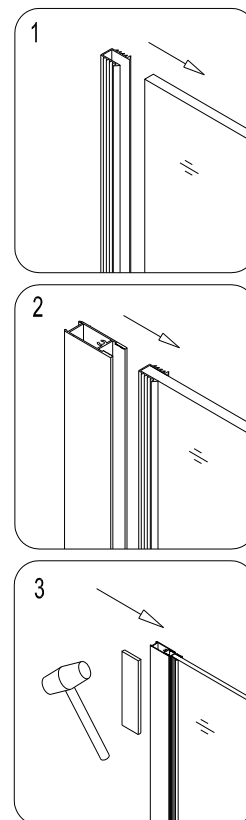


Fig 4

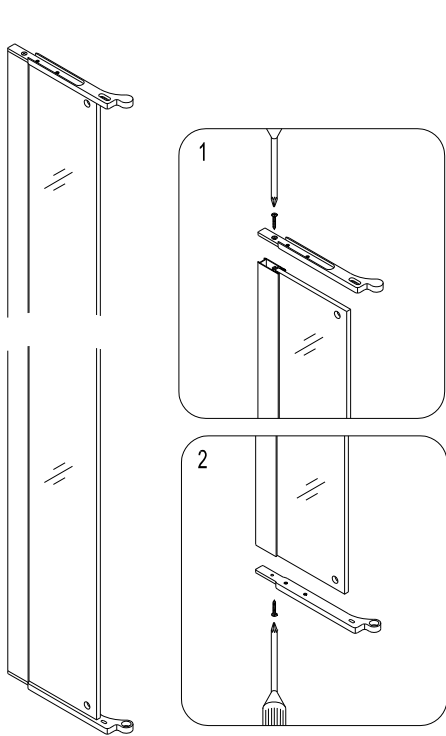


Fig 5

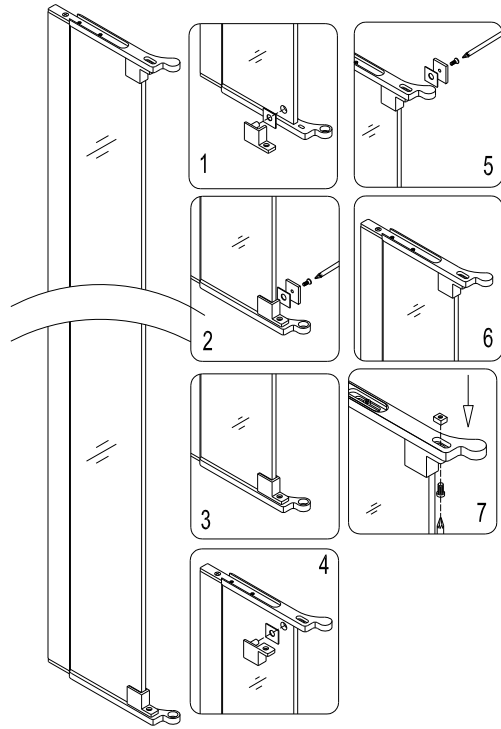


Fig 6

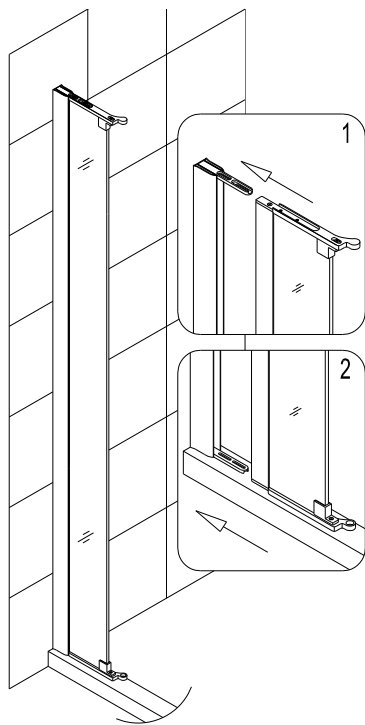


Fig 7

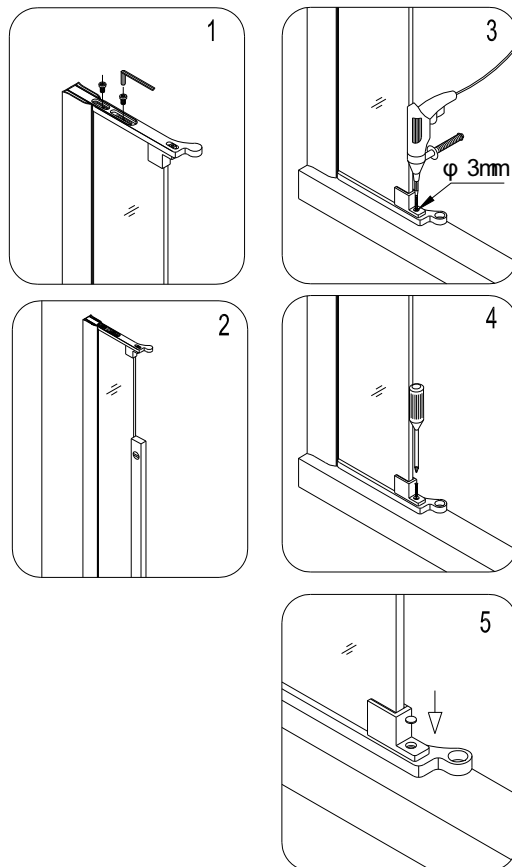


Fig 8

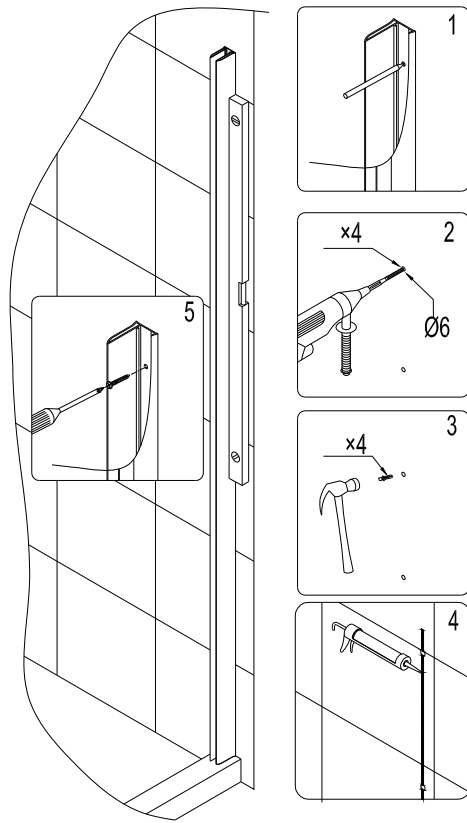


Fig 9

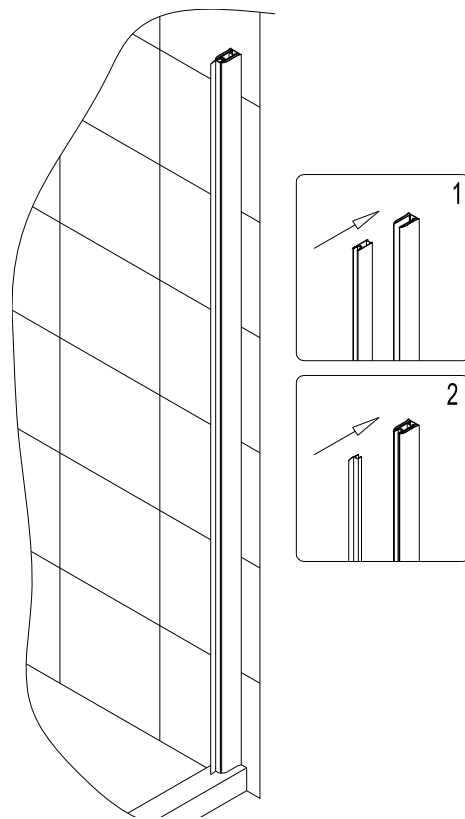


Fig 10

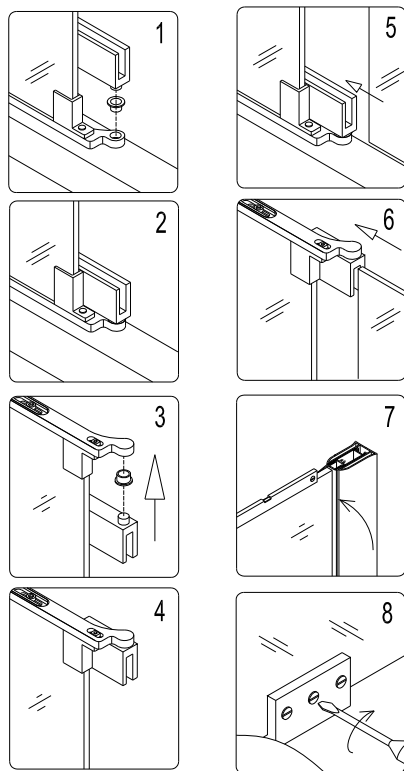


Fig 11

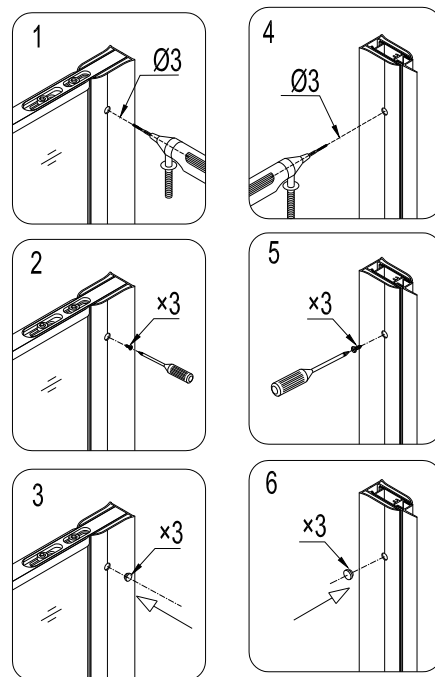


Fig 12

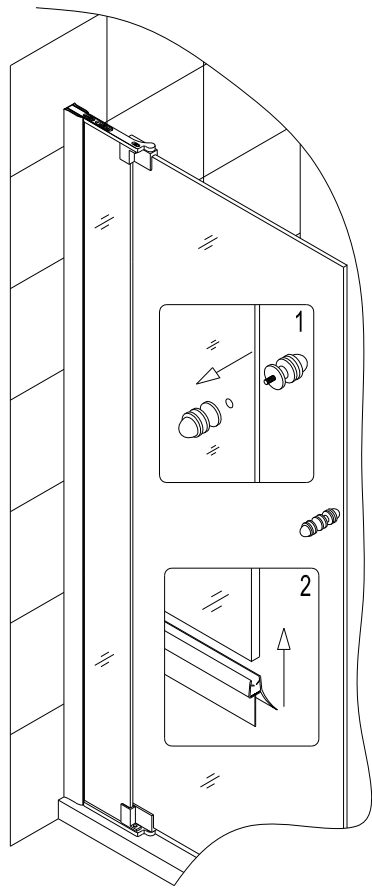


Fig 13

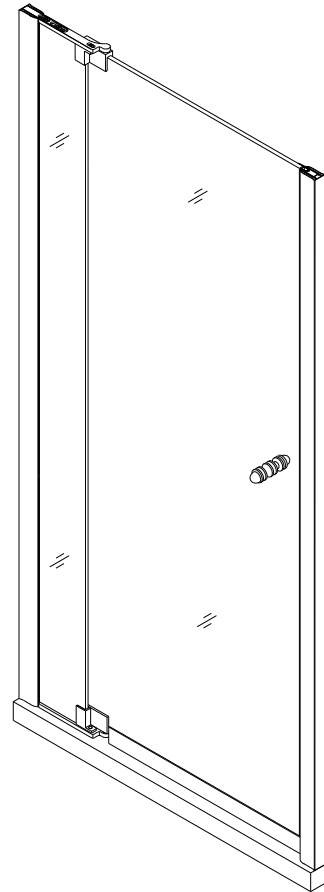


Fig 14

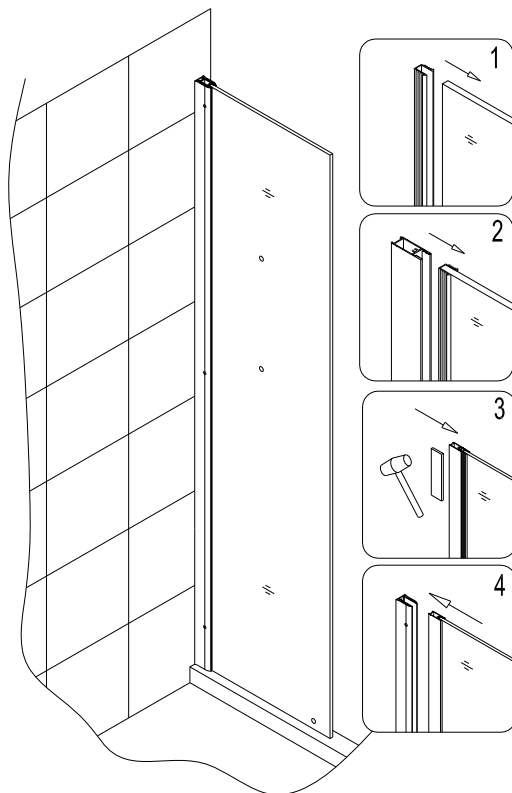


Fig 15

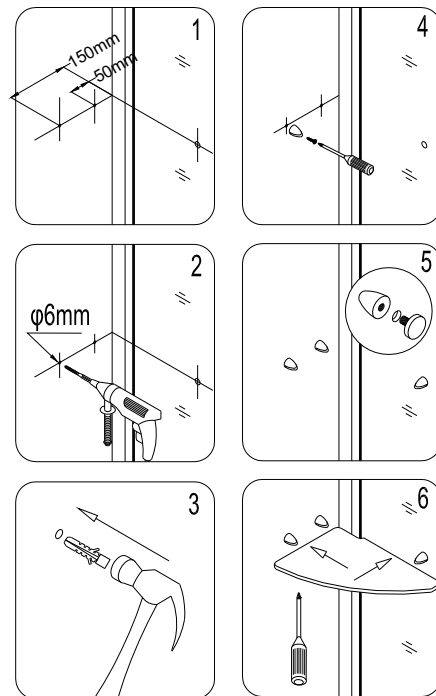


Fig 16

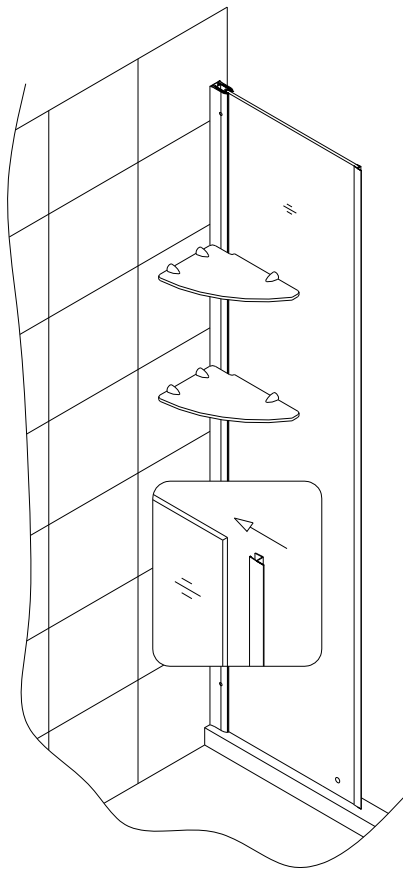


Fig 17

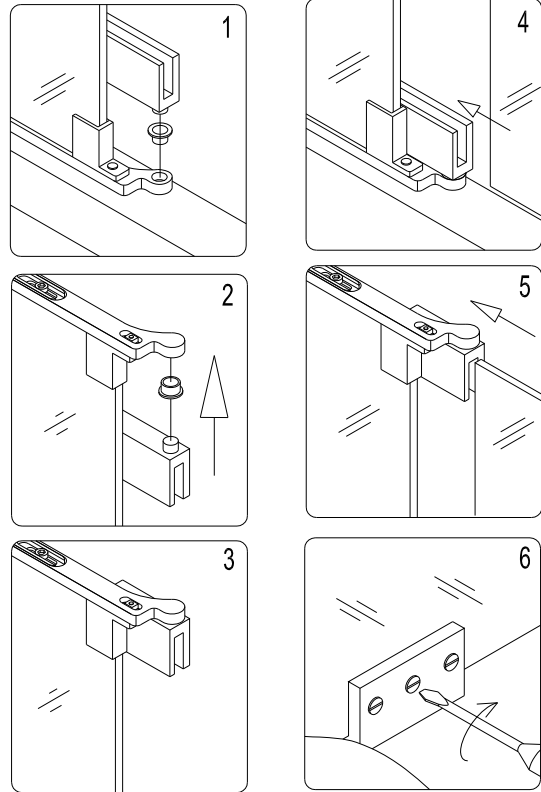


Fig 18

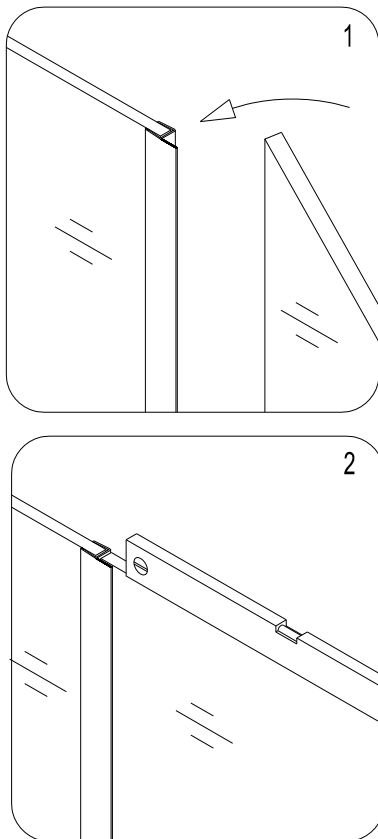


Fig 19

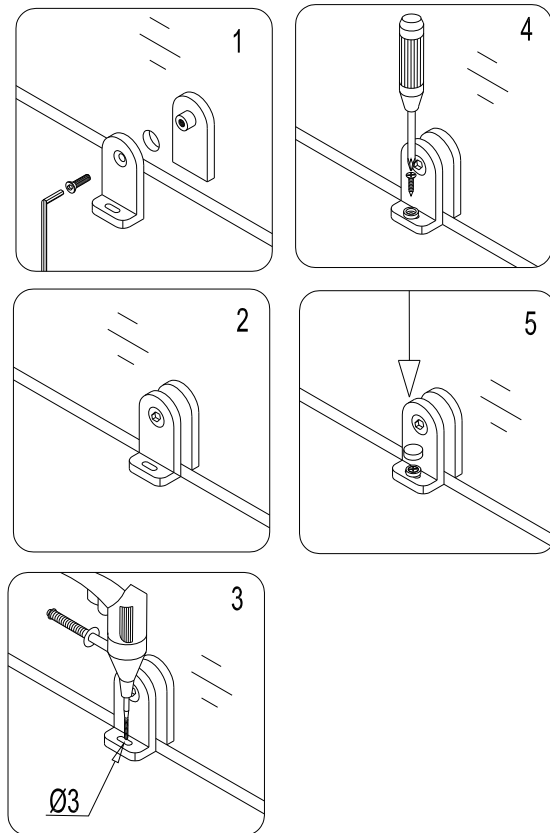


Fig 20

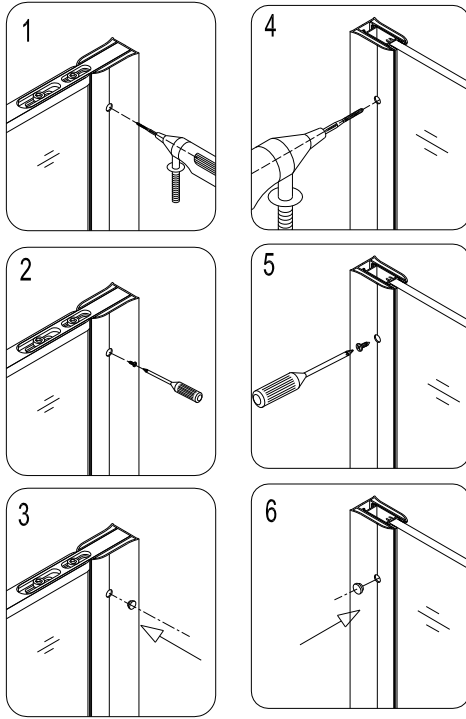


Fig 21

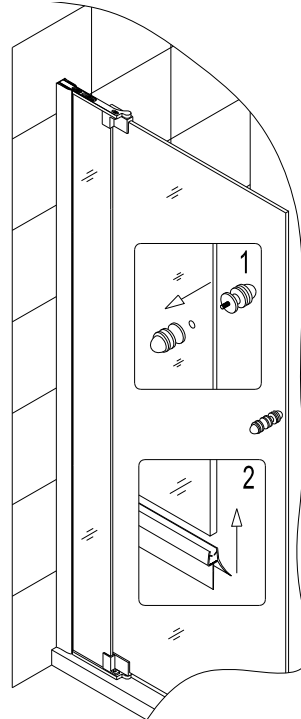


Fig 22

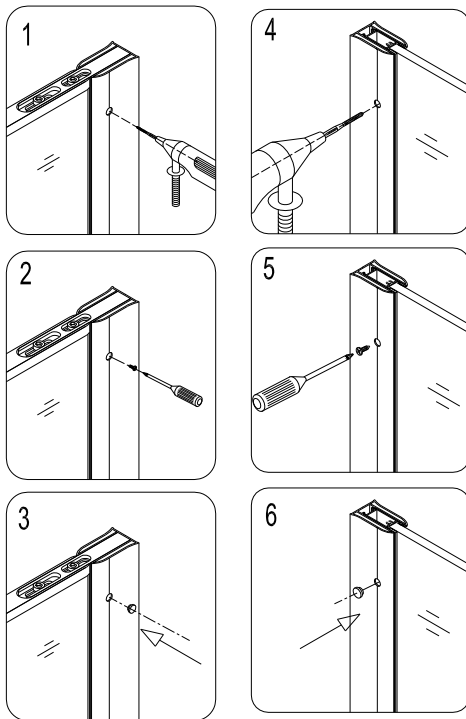


Fig 21

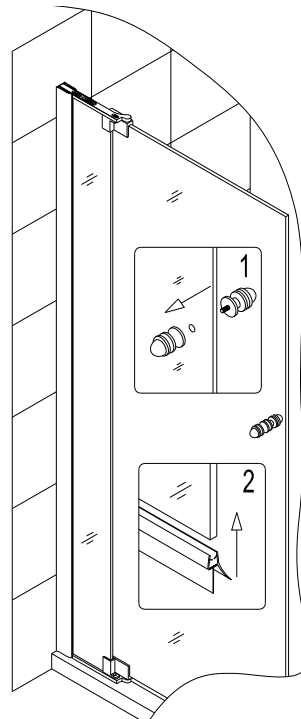


Fig 22

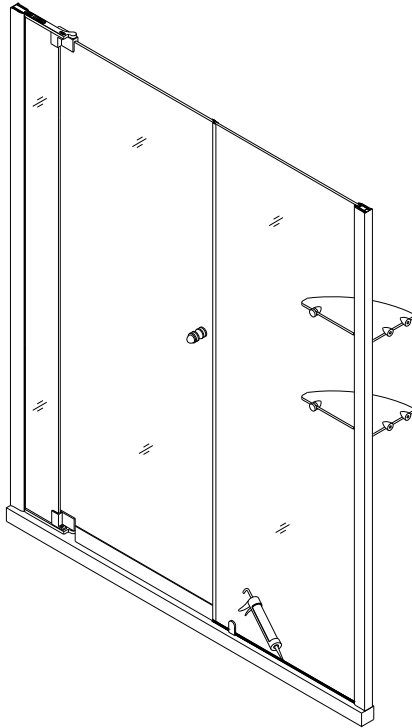


Fig 23

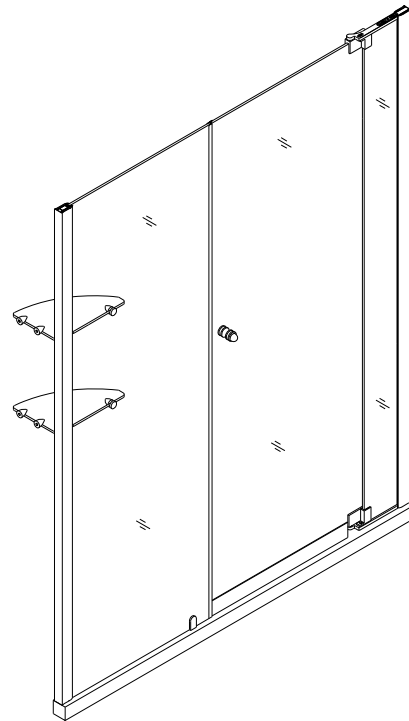


Fig 24

Product Maintenance

1. Tempered glass can be clean with nonabrasive bathroom cleaner or any glass cleaner you use elsewhere in your home. Rinse off any glass cleaner that gets on the aluminum as soon as possible to avoid damage to the anodized surface. Avoid striking it with any sharp or hard objects. Such damage can cause either immediate or delayed breakage of tempered glass.

2. The aluminum in your shower door is durable and resistant to water damage. It is advisable, but not necessary to wipe it with your towel after your shower. Clean it as often as needed to keep the buildup off. Never use any type of abrasive cleaner. Use only a soft damp cloth and nonabrasive bathroom cleaners.