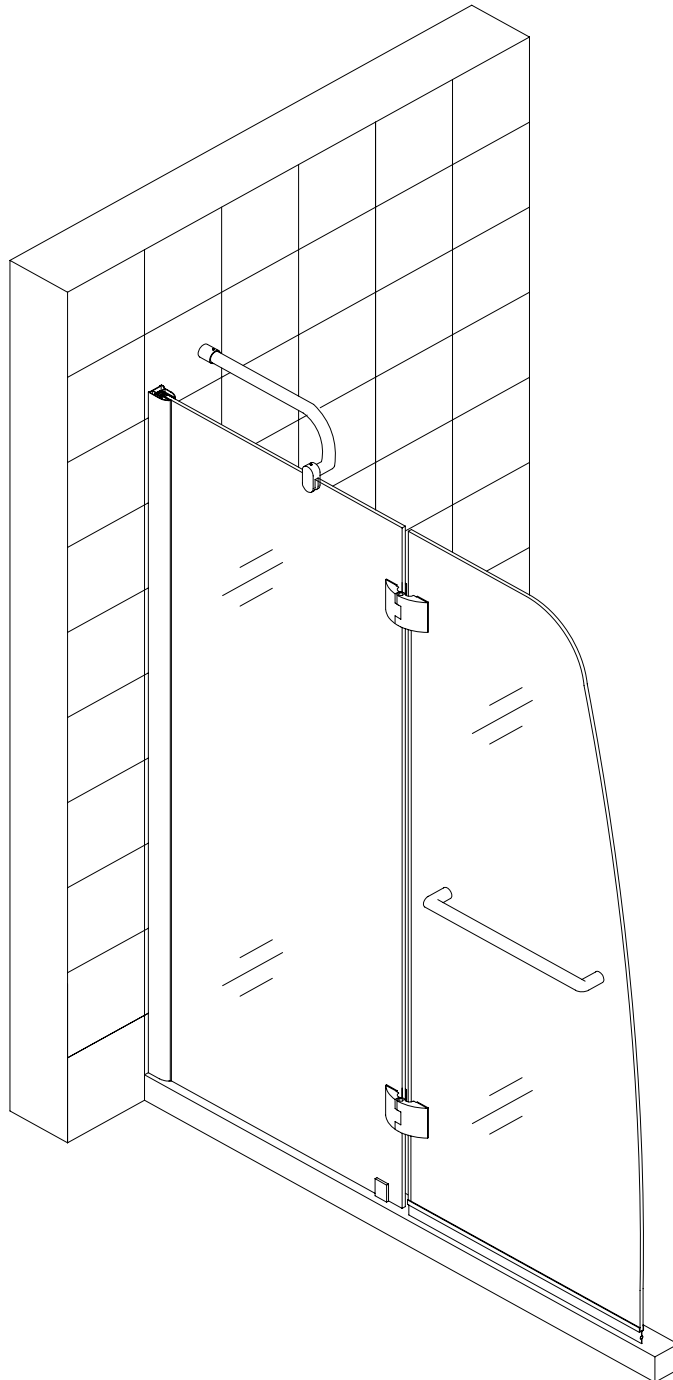




Aqua Shower / Tub Door Installation Instructions

IMPORTANT

Please read carefully the following instructions before installing your shower door.

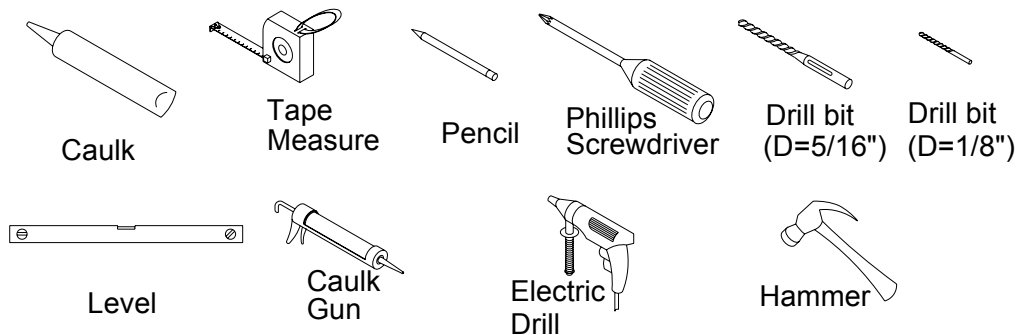


Our product may have changes without prior notice

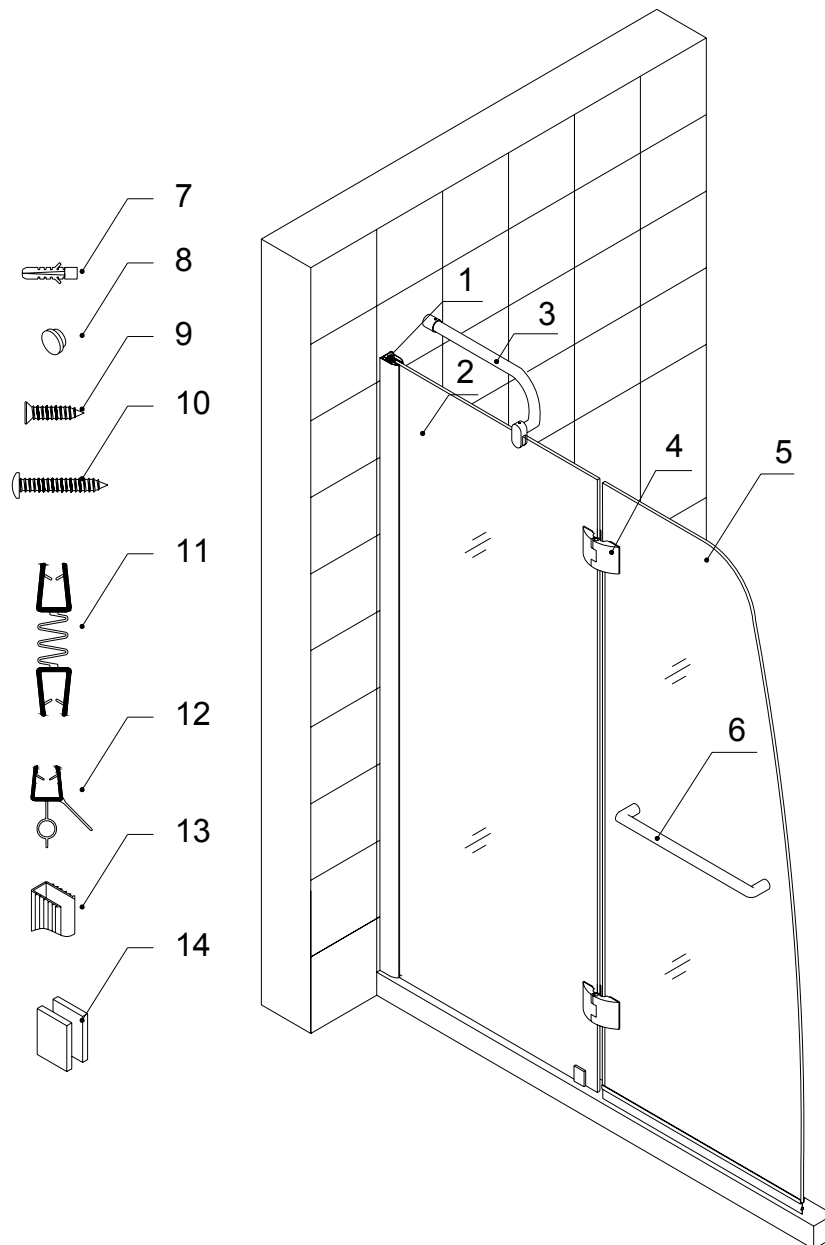
Preparation

1. After opening the boxes, read this introduction carefully, check all the packed parts are complete by cross checking all the components against the "Detailed Diagram of Shower Door Components". Examine for shipping damage. If the unit has been damaged or has a finishing defect, please contact your local distributor within 3 business days. Please note that **Bath Authority™ / DreamLine™ will not replace any damaged product or parts free of charge after 3 business days or if the product has been installed.** Contact your distributor or DreamLine if you have any questions.
2. **Please note that you should consult your local building codes on questions on installation compliance standards. Building and plumbing codes vary by location, and DreamLine is not responsible for code compliance standards for your project.**
3. Please insure that prior to the installation the floor is leveled and solid. Also make sure the walls are at right angles. While some adjustment in leveling of the door is possible, irregular floor level or improper angle of side walls will result in serious problems for your installation. Please, note that there are some adjustments and drilling might be necessary during the installation process.

Tools Required



Detailed Diagram of Shower Door Components



Packing List

01	Wall profile	1pair	08	Decorative plug	4pcs
02	Stationary glass	1pc	09	Flat head screw ST4.2×15	4pcs
03	Support bar	1pc	10	Round head screw ST4.2×30	6pcs
04	Hinge	2pcs	11	Connected anti-water strip	1pc
05	Glass door	1pc	12	Bottom anti-water strip	1pc
06	Handle	1pc	13	U-shape seal gasket	1pc
07	Wall anchor	5pcs	14	Screw inside Bottom bracket	1pc

After you have checked that all components are there, you will be ready to start the installation of your DreamLine shower door.

Installation

1. Remove the **Wall profile (01)** (this is the external part of the wall and glass profiles set with no holes along the surface side) and place it against the wall on the threshold in the designated position. Note that this part of the profile piece should be fastened as shown in Fig.1. Make sure it's leveled and plumbed. Mark the drill holes on the wall. Drill the holes, insert **Wall Anchors (07)** and attach the external profile wall profile to the wall with the **Screw ST4.2x30 (10)**. See Fig.1 for details.
2. a) Locate the **Stationary glass panel (02)** from the package and push the **U-shape seal gasket (13)** onto the vertical edge of the stationary glass. Set the glass panel onto the threshold, tray or bathtub, push it into the groove of the profile and then snug it down with internal **Glass Profile (01)** with **Flathead screw ST4.2x15 (09)**. See Fig.2 (Images 1-4) for details.
b) Take apart the **Bottom bracket (14)**, place the mounting part into the U shape hole of the **Stationary glass panel** from inside and mark the drill hole on the threshold, tray or bathtub. Remove the glass, drill the hole and secure one part of the **Bottom bracket (14)** with **Round head screw ST4.2x30(10)**. See Fig.2 (Images 5-8) for details.
3. Fasten the **Stationary glass panel (02)** in the wall profile. Assemble the **Bottom bracket (14)**, cover it **with Decorative plug (08)**. See Fig.3 for details.
4. Locate the **Support bar (03)** from the package. Drill the hole on the wall according to the measurements given in Fig.4. Insert the **wall anchor (07)**.
5. Attach the bracket onto the wall with the **Screw ST4.2x30 (10)**. Place the **Support bar (03)** with channel on the glass and insert the other end into the bracket. Tighten the set-screws provided at both ends. See Fig.5 for details.
6. Install the **Hinges (04)** on the stationary glass with the decorative non-screw side facing outwards. Hook the **Glass door (05)** from the inside. You will need assistance in this process. Start off by attaching the hinges to the stationary glass. Place the hinge from the outside and screw it in from the inside, do this for the bottom hinge and the top hinge, but start first from the top hinge when you begin to hang the door on. Make sure that until both hinges are installed securely, the door does not swing around or lean/bend to any side because this can cause the hinge to snap and breakage of the glass. After the hinges are installed open and close the door to make sure it's operation is nice and smooth. Perform necessary adjustment to have the top edge of the door aligned with the stationary glass. See Fig.6 for details.
7. Install the **Handle (06)** and push on the **Connected anti-water strip (11)** to seal between the glass door and the stationary glass. Push the **Bottom anti-water strip (12)** to the glass door. See Fig.7 for details.
8. Apply caulk (recommended 100% clear silicone) inside and outside along the bottom of the stationary glass. See Fig.8 for details.

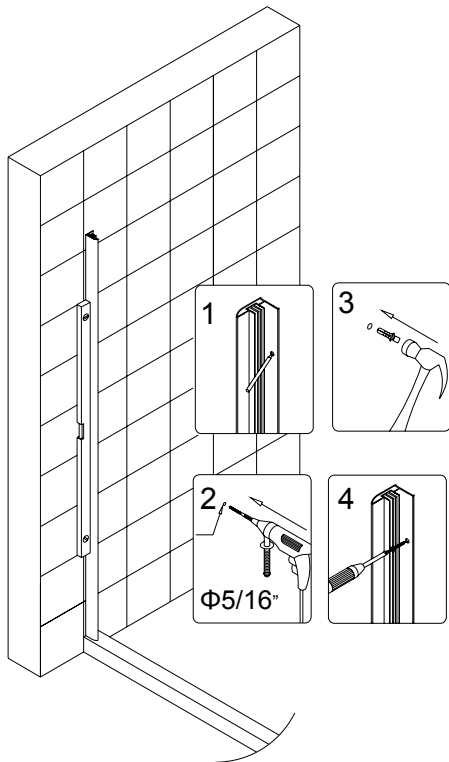


Fig 1

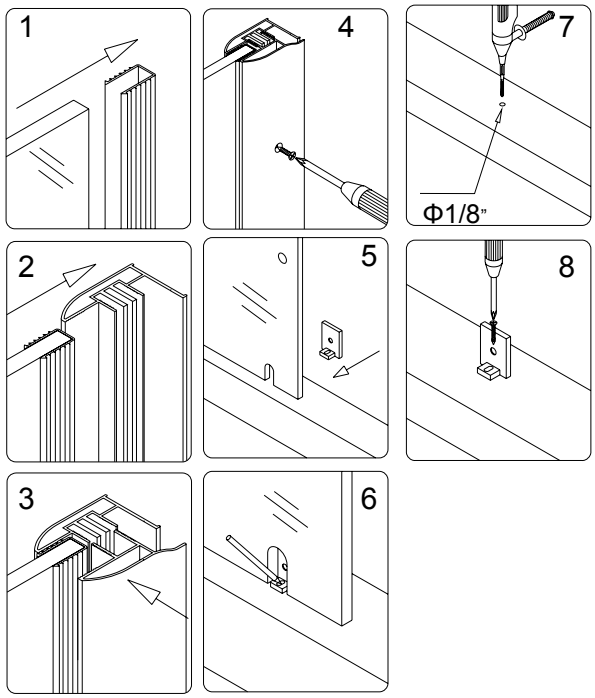


Fig 2

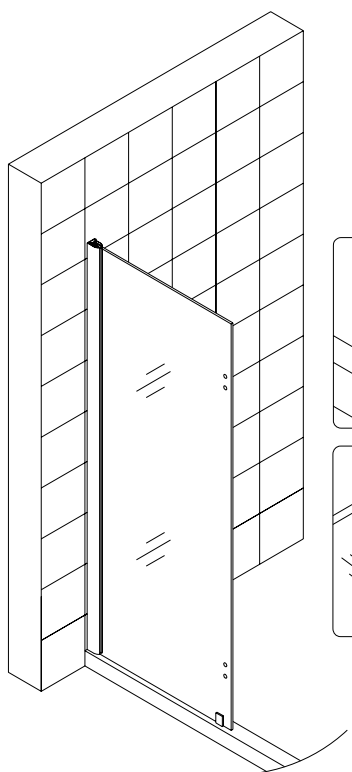


Fig 3

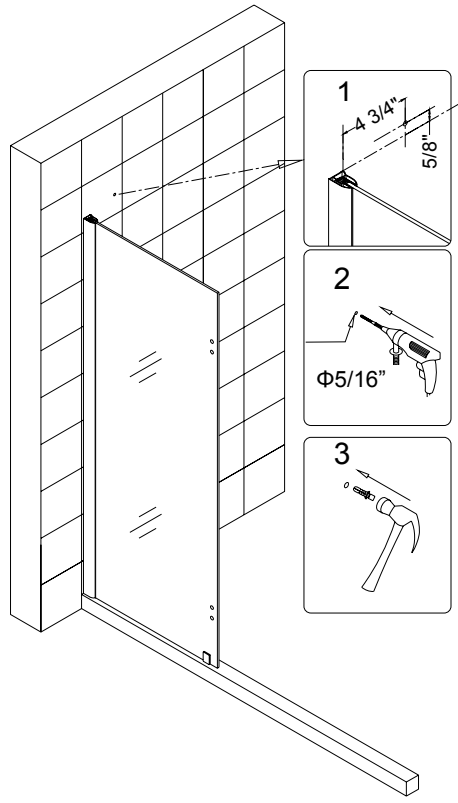


Fig 4

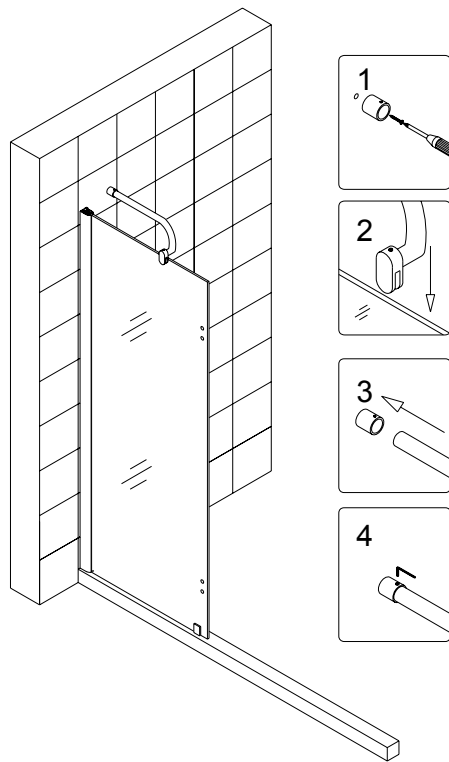


Fig 5

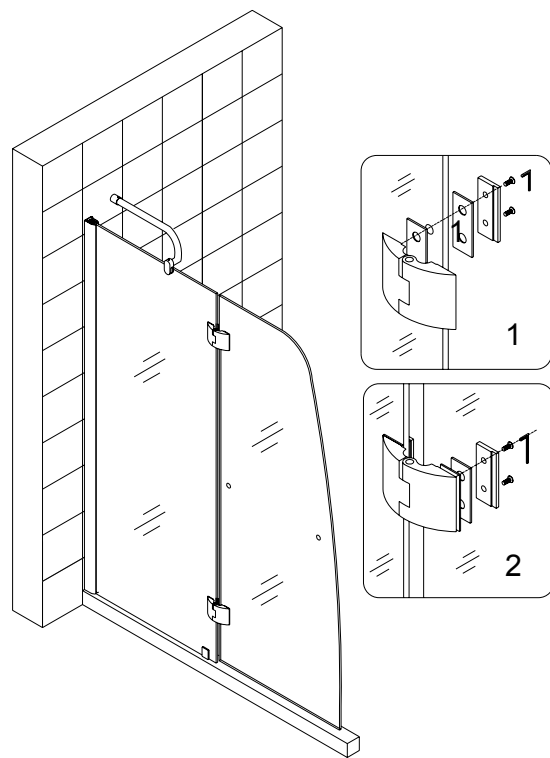


Fig 6

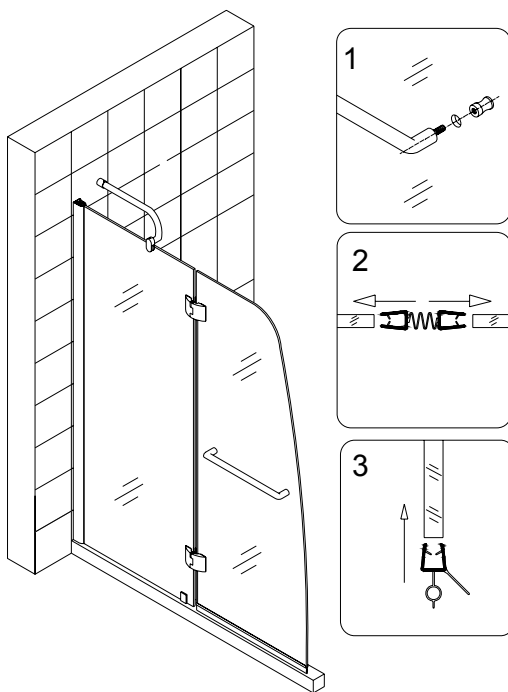


Fig 7

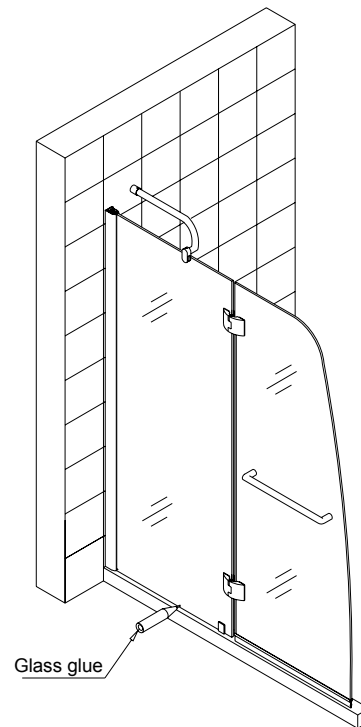


Fig 8

Product Maintenance

1. Tempered glass can be cleaned with nonabrasive bathroom cleaner or any glass cleaner you use elsewhere in your home. Rinse off any glass cleaner that gets on the metal parts as soon as possible to avoid damage to the metal surface. Avoid striking it with any sharp or hard objects. Such damage can cause either immediate or delayed breakage of tempered glass.
2. The metal parts in your shower door are durable and resistant to water damage. It is advisable, but not necessary to wipe it with your towel after you shower. Clean it as often as needed to keep the buildup off. Never use any type of abrasive cleaner. Use only a soft damp cloth and nonabrasive bathroom cleaners.